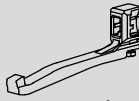


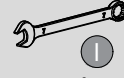
x1



x1

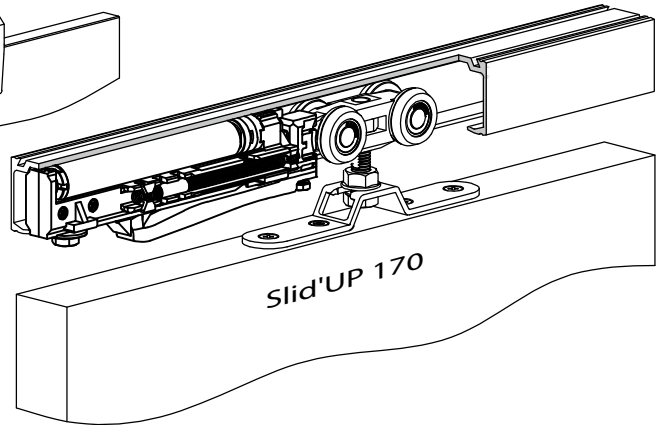
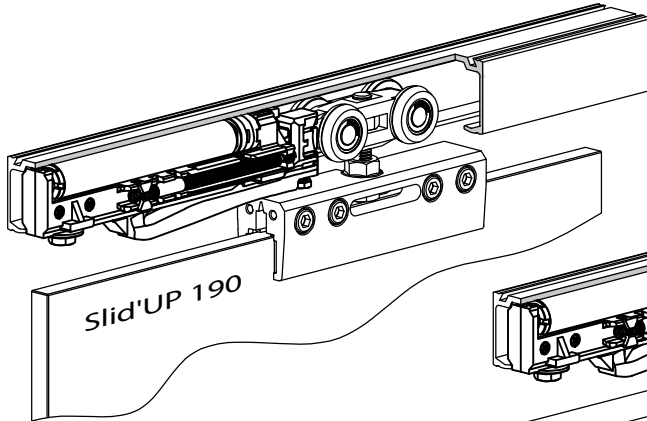
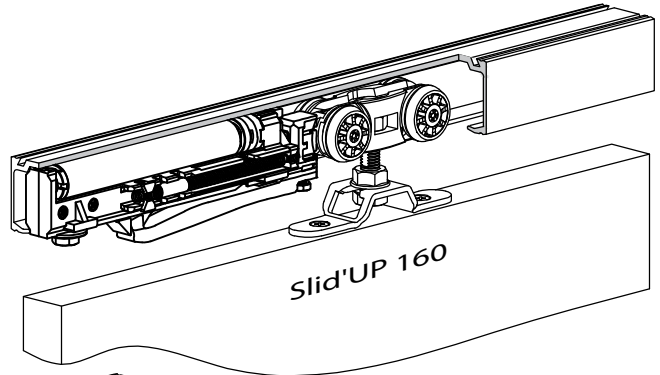


x2

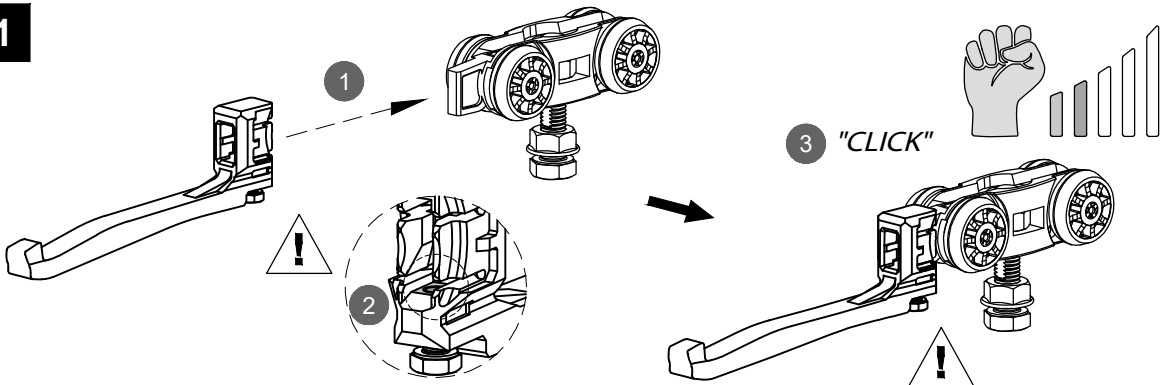


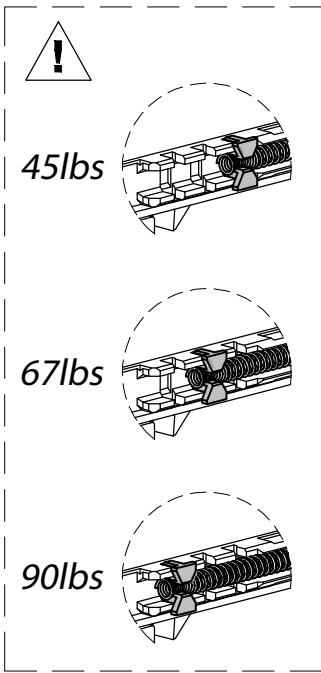
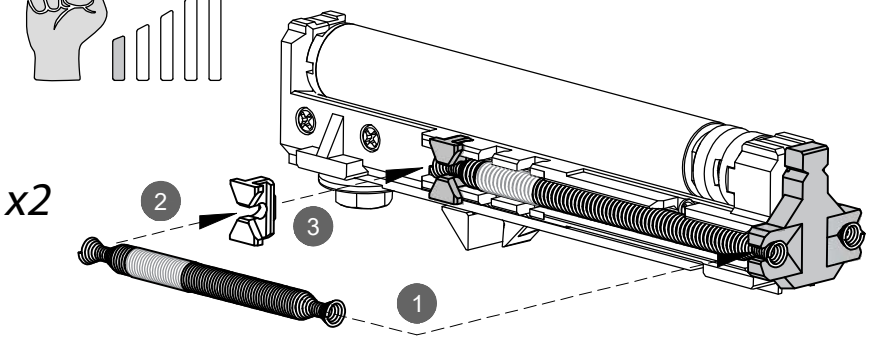
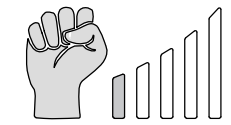
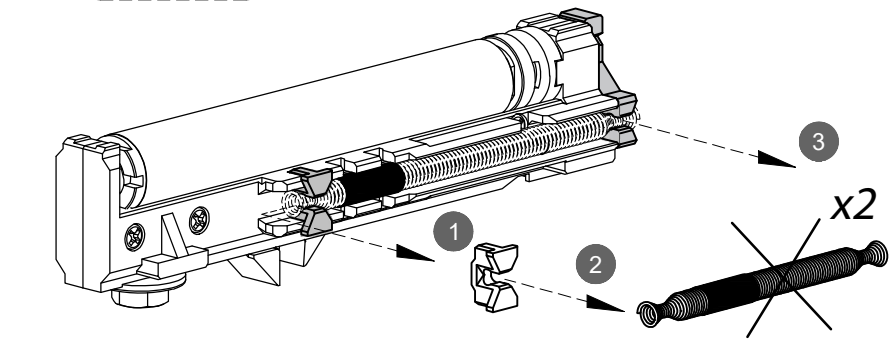
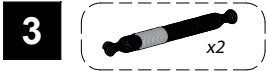
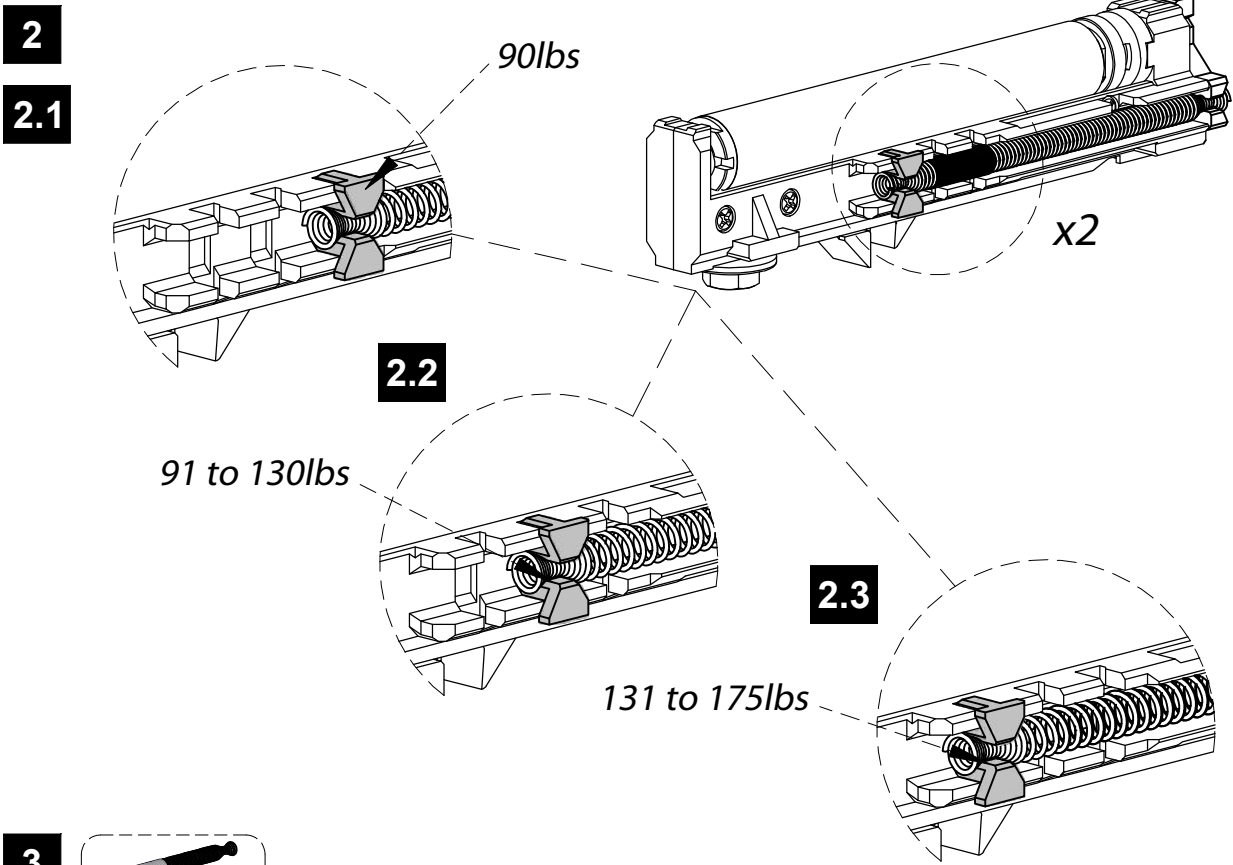
x1

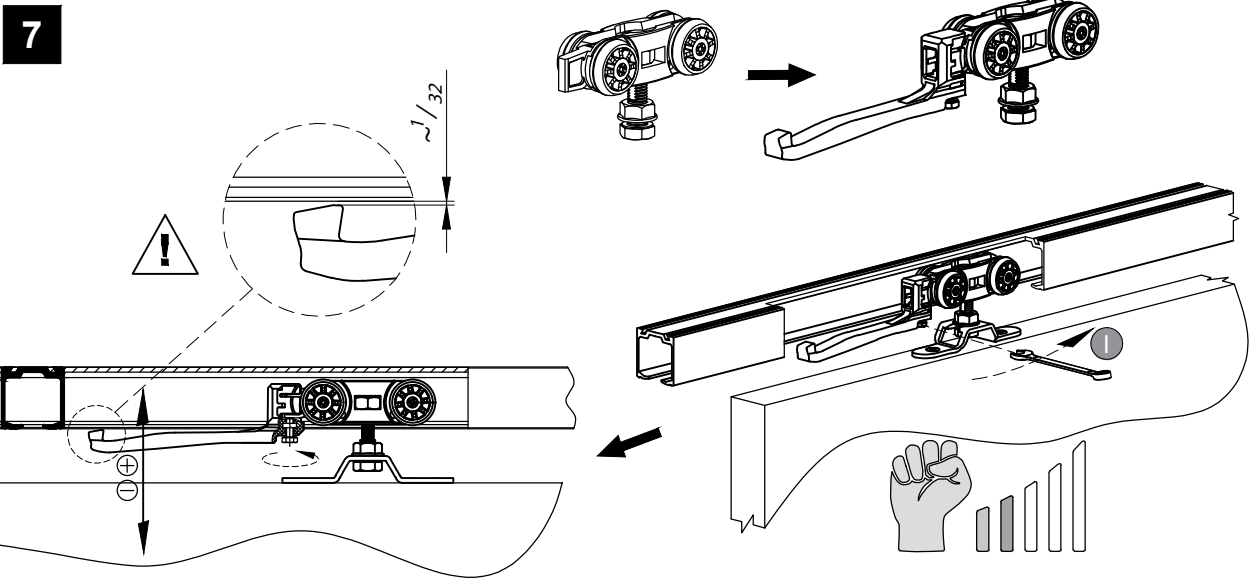
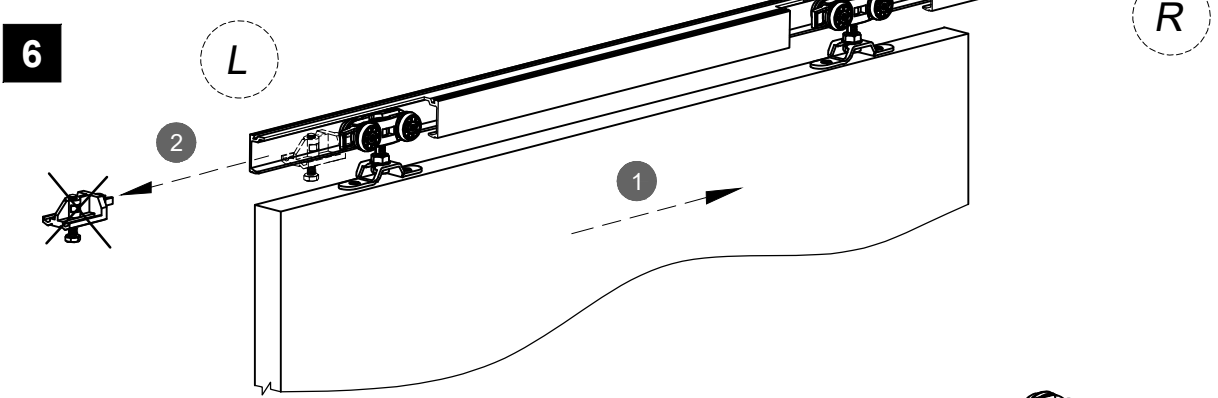
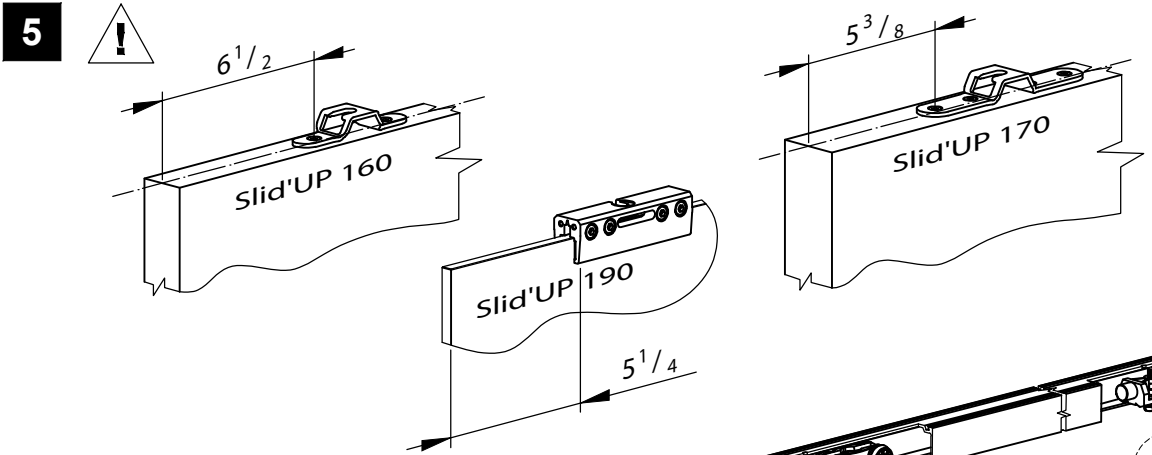
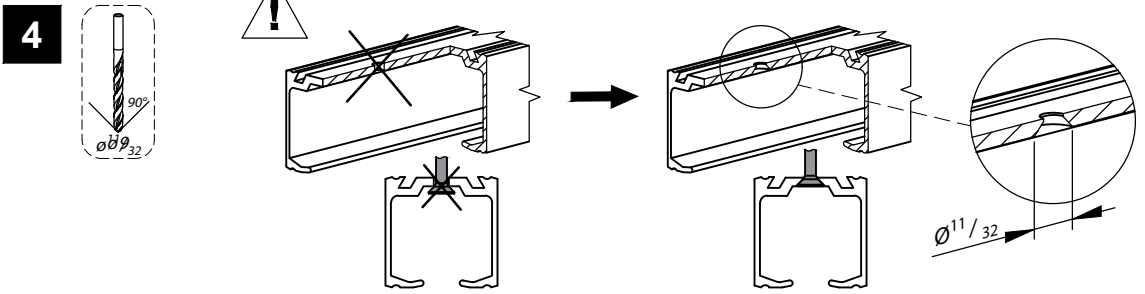
**175
 lbs**



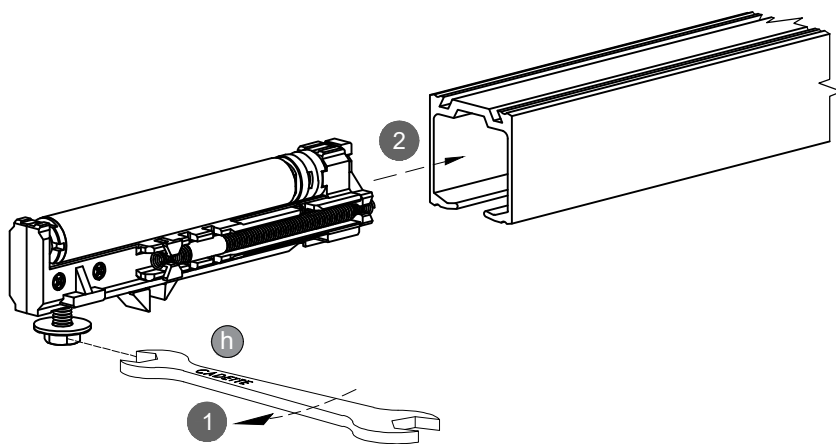
1



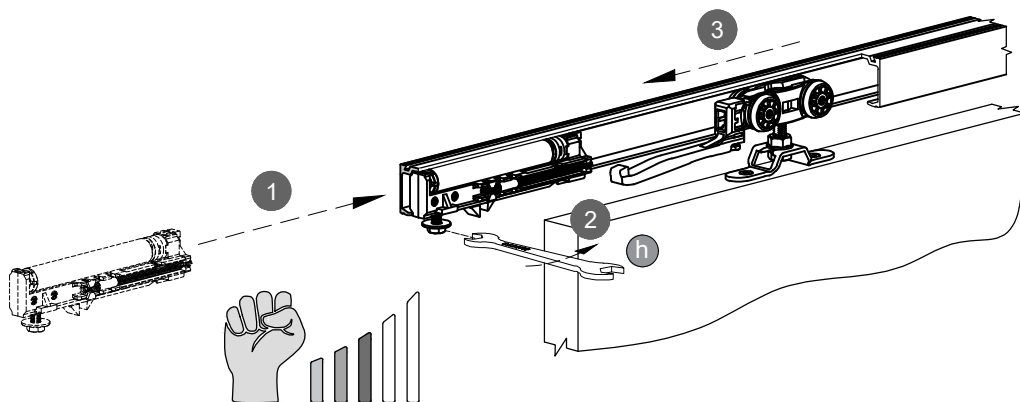




8



9



10

