



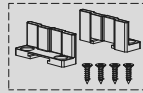
x1



x2



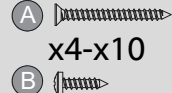
x2



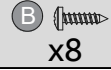
x1



x1



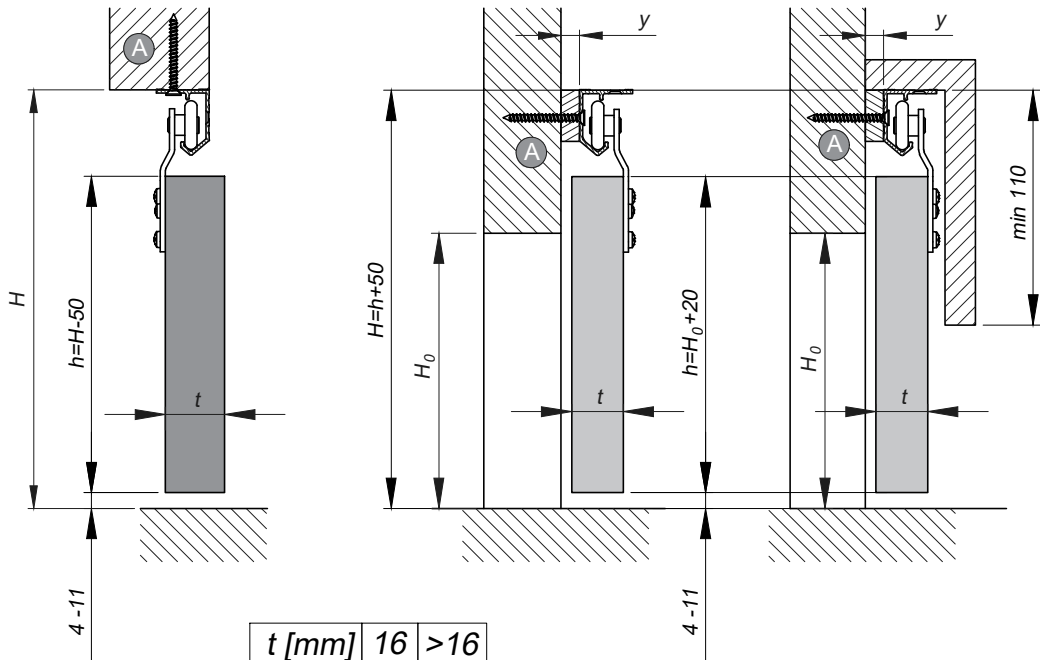
x4-x10



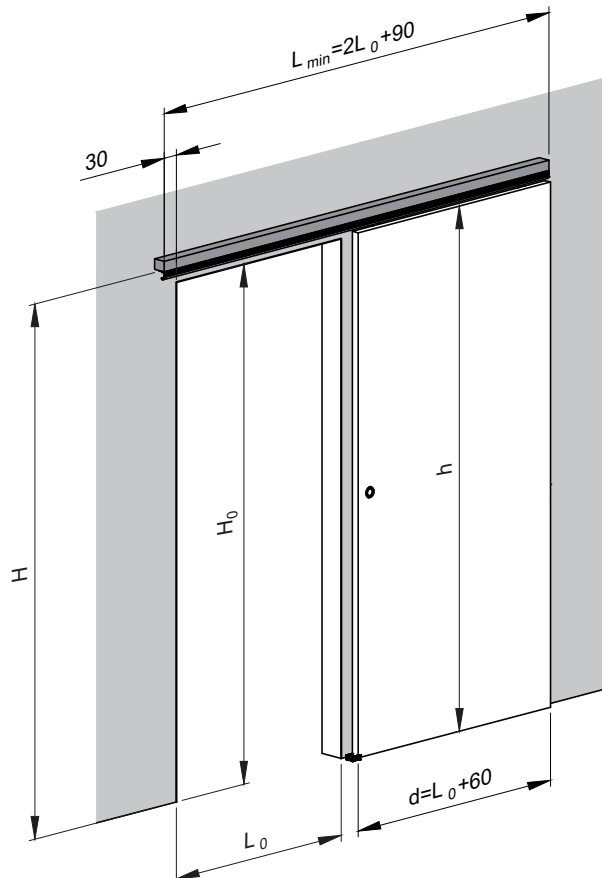
x8

45 kg

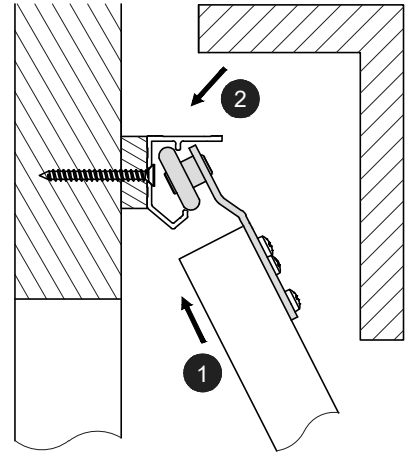
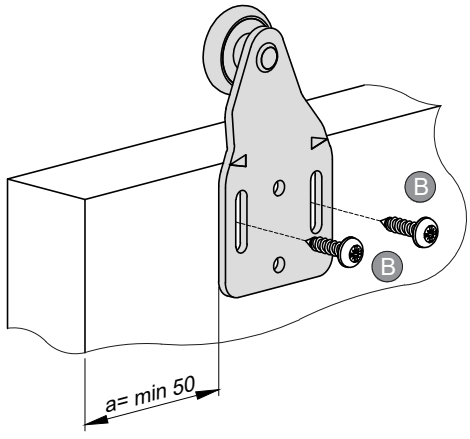
1



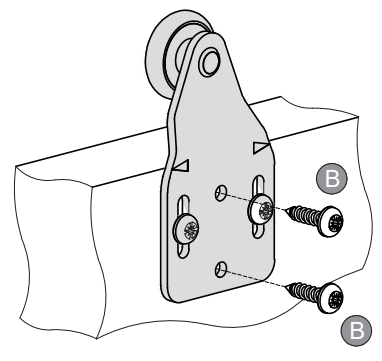
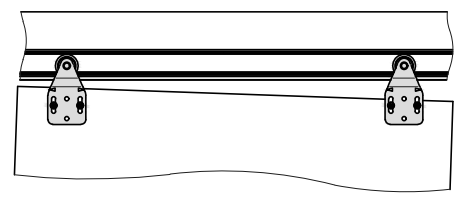
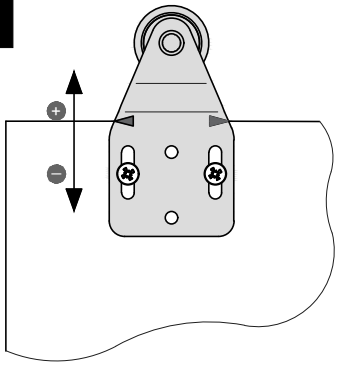
t [mm]	16	>16
y [mm]	0	t-16



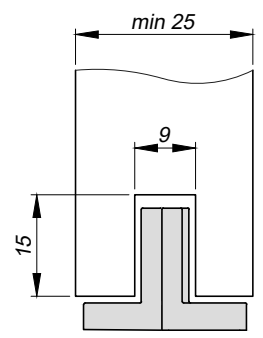
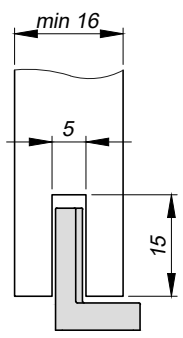
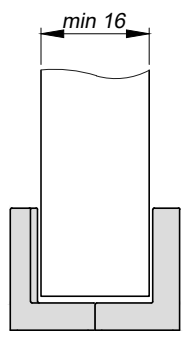
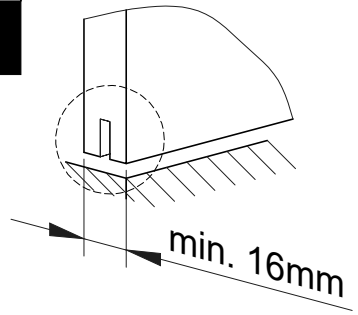
2



3



4



5

